

UL Online Certifications Directory

TGKX.508 Roof Deck Constructions

Roof Deck Constructions

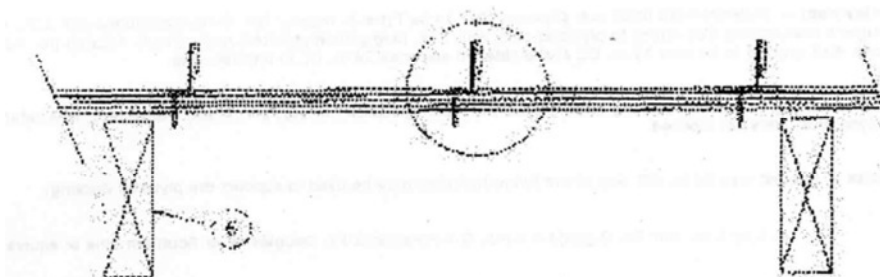
[See General Information for Roof Deck Constructions](#)

Construction No. 508

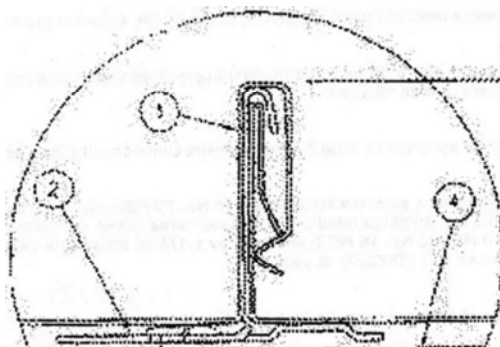
November 08, 2005

Uplift-Class 90 Fire

Not Investigated



sA" VAX; -^"f-



1. **Metal Roof Deck Panels*** — 0.032 in. min thick aluminum; 16 In. wide, 1-3/4 In. high at the rib. Panels continuous over three or more dips with no end laps. A bead of sealant may be used at panel side joints.

CENTRAL TEXAS METAL ROLLFORMING INC [View Classification!](#) - "Shurloc 175".

CONSOLIDATED METALS OF FLORIDA, DIV

472

OF ALUMINUM SERVICE INC [View Classification!](#) - "CSL-675" **METAL FORMING INC**

[View Classification!](#) — "1.75 Snap Lock A"™ Panel" **NEW TECH MACHINERY**

CORP [View Classification!](#) - "SS 675" **PETERSEN ALUMINUM CORP** [View](#)

[Classification!](#) - "Snap-Clad"

STREAMLINE ROOFING & CONSTRUCTION

INC [View Classification!](#) - "175SL"

2. Roof Deck Fasteners* (Panel Clips) - One piece assembly, 3-1/2 In. wide, 1-7/8 In. high with a 1-3/8 In. wide horizontal leg. No. 18 MSG min thick coated steel. Two 1/4 in. guide holes located in horizontal leg. Clips spaced 18 in. OC.

PETERSEN ALUMINUM CORP [View Classification!](#) - "Snap-Clad Clip"

~ Panel **Fasteners (Screws)** — Fasteners used to attach panel clips (Item 2) to plywood (Item 5) to be No. 10-12 by 1 In. long, No. 1 Phillips inv. bugle head coated steel wood screws. Two screws used per clip inserted through 1/4 In. diameter guide holes.

4. Underlayment — Underlayment used over plywood deck to be Type 30 organic felt. Sides overlapped min 2 In., end laps per manufacturer's Instructions. Felt nailed to plywood deck with 1 In. long galvanized steel roofing nails, located per manufacturer's instructions. Nail spacing to be max 12 in. OC at the side lap and max 24 In. OC in interior rows.

5. Plywood Decking — Plywood decking to be graded per PS83 specification, 19/32 In. thick, exposure 1, APA rated sheathing (42/20) square edged. Butt ends not blocked.

6. Supports — Spaced max 24 In. OC. Any of the following types may be used to support the plywood decking:

- a) 2 by 6 In., min No. 2 grade A.F.P.A. S-P-F Hemlock Fir, Douglas Fir or Southern Pine or equivalent.
- b) Wood trusses with a nominal 2 by 4 In. upper chord of the same grade as Item a.
- c) No. 22 MSG min thick cold formed coated steel (min yield strength to be 33,000 psi).

7. Plywood Fasteners — (Not Shown) — Fasteners used to attach the plywood deck to the supports to be as follows:

- a) For plywood-to-wood supports. No. 8-18 by 1-7/8 in. long bugle-head steel screws with a No. 2 Phillips drive, a "Hi-Low" thread pattern and an "S-Point" .
- b) As an alternate to Item a, 8d by 2-1/2 In. long deformed shank common nails may be used.
- c) For plywood-to-steel supports for a steel thickness less than No. 20 MSG, No. 7-19 by 1-1/4 in. long bugle-head steel screws with a No. 2 Phillips head drive "Hi-Low" threads and an "S-Point". For a steel thickness greater than No. 20 MSG to No. 16 MSG, No. 6-20 by 1-1/4 In. long bugle-head steel screws with a No. 2 Phillips drive and an S12 (TEKS/3) @ point.

Spacing: Fastener spacing for all fastener types to be 6 In. OC at the plywood edges and 12 In. OC in the Interior.

Refer to General Information, Roof Deck Construction (Roofing Materials and Systems Directory) for Items not evaluated.

"Bearing the UL Classification Mark

Last Updated on 2005-11-08

[Questions?](#)

[Notice of Disclaimer](#)

[Page Too](#)

The appearance of a company's name or product in this database does not in itself assure that products so identified have been manufactured under UL's Follow-Up Service. Only those products bearing the UL Mark should be considered to be Listed and covered under UL's Follow-Up Service. Always look for the Mark on the product.

UL permits the reproduction of the material contained in the Online Certification Directory subject to the following conditions: 1. The Guide Information, Designs and/or Listings (files) must be presented in their entirety and in a non-misleading manner, without any manipulation of the data (or drawings). 2. The statement "Reprinted from the Online Certifications Directory with permission from Underwriters Laboratories Inc." must appear adjacent to the extracted material. In addition, the reprinted material must include a copyright notice in the following format: "Copyright © 2006 Underwriters Laboratories Inc.®"

An independent organization working for a safer world with integrity, precision and knowledge.



474

TGKX.610 - Roof Deck Constructions

UL Online Certifications Directory

TGKX.610 Roof Deck Constructions

Page Bottom

Roof Deck Constructions

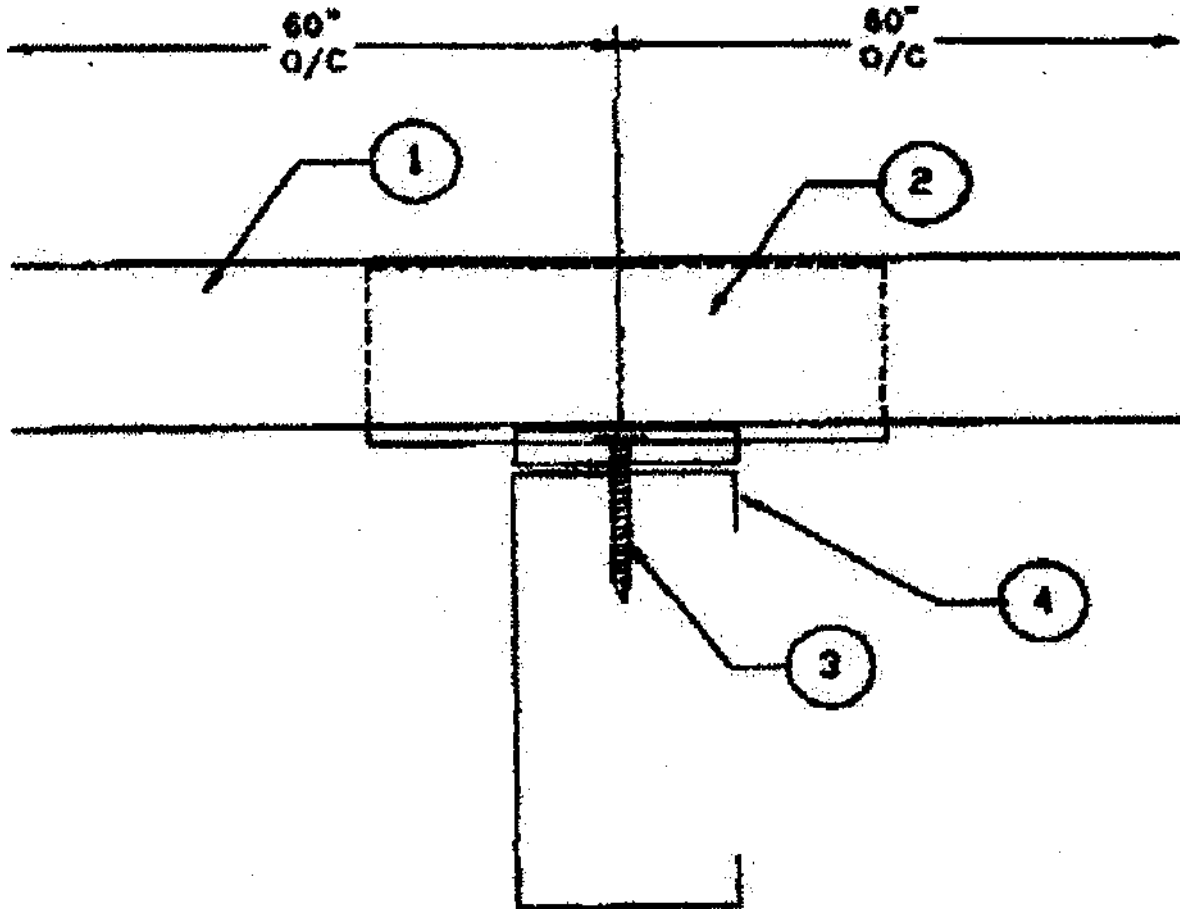
See General Information for Roof Deck Constructions

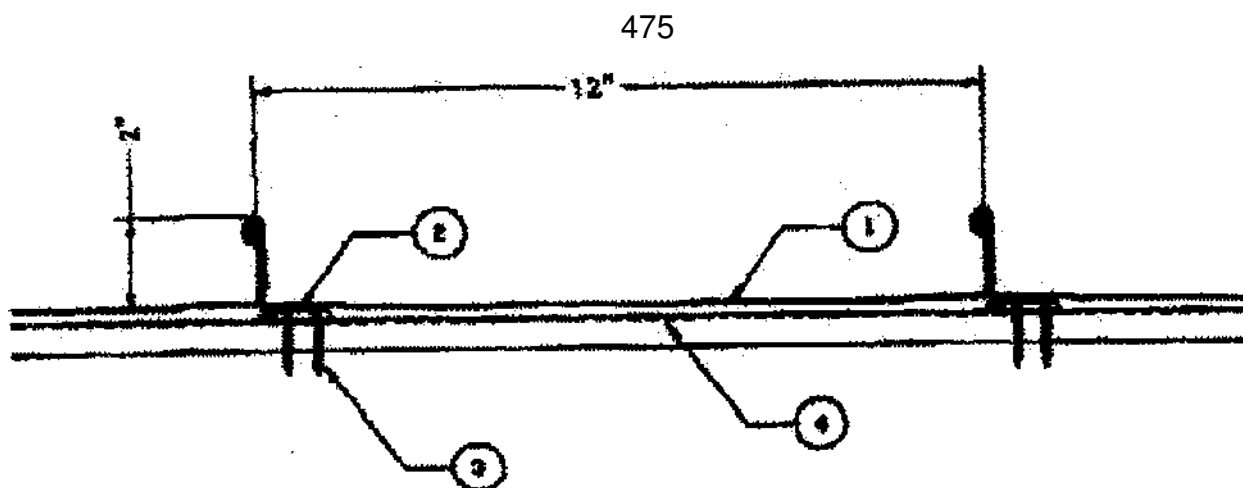
Construction No. 610

December 23, 2004

Uplift - Class 90 Fire

Not Investigated





1. Metal Roof Deck Panels* - Min. No. 24 MSG (0.0225 in. thick steel). Max. width 12-1/2 in., height of female rib and male rib 2 In. Panels continuous over two or more spans with no end laps.

INTEGRIS METALS INC [View Classification 1](#) - "Integriss System 5"

METAL FORMING INC ([View Classification](#)) - "2 In. Mechanical Lock"

MID-SOUTH METAL PRODUCTS ([View Classification](#)) - "MSMP 2 In. Mechanical Lock"

MODERN METAL SYSTEMS INC ([View Classification](#)) - "US200S"

2. Roof Deck Fasteners* (Panel Clips) — Two part assembly consisting of an upper tab and a base. The upper tab is 4-1/4 in. wide and 2-1/4 in. high and is fabricated from min. No. 22 MSG coated steel. The base is 1-7/8 in. wide and 1-5/8 in. long and is fabricated from min. No. 16 MSG coated steel. Clips are to be spaced 60 in. OC max.

METAL FORMING INC ([View Classification](#)) - "2000SNS"

3. Fasteners (Screws) — Fasteners used to attach the panel clips to the purlins to be No. 1/4-14 by 1-1/4 in. long, self-drilling, self-tapping, hex-head, coated steel screws.

4. Purlins No - Min. No. 16 MSG steel (Minimum yield strength 50,000 psi) Spaced 60 in. OC max. Refer to General

Information, Roof Deck Constructions, for Items not evaluated 'Bearing the UL Classification Mark [Last Updated](#) on 2004-12-23

[Questions?](#)

[Notice of Disclaimer](#)

[Page Top](#)

[Copyright S> 2006 Underwriters Laboratories Inc.\(i](#)

The appearance of a company's name or product in this database does not in itself assure that products so identified have been manufactured under UL's Follow-Up Service. Only those products bearing the UL Mark should be considered to be Listed and covered under UL's Follow-Up Service. Always look for the Mark on the product.

UL permits the reproduction of the material contained in the Online Certification Directory subject to the following conditions: 1. The Guide Information, Designs and/or Listings (files) must be presented in their entirety and in a non-misleading manner, without any manipulation of the data (or drawings). 2. The statement "Reprinted from the Online Certifications Directory with permission from Underwriters Laboratories Inc." must appear adjacent to the extracted material. In addition, the reprinted material must include a copyright notice in the following format: "Copyright © 2006 Underwriters Laboratories Inc.®"

Art.independent organization working ior a safer world with integrity, precision and knowledge.



UL Online Certifications Directory

TGKX.605 Roof Deck Constructions

[Page Bottom](#)

Roof Deck Constructions

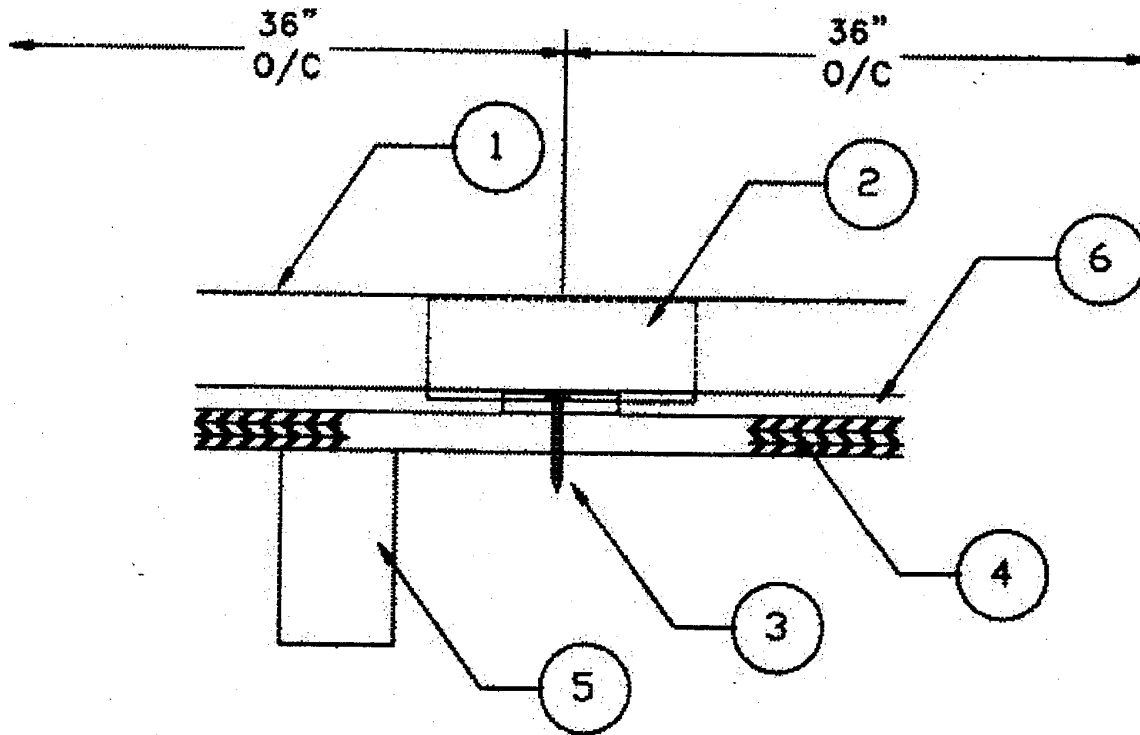
[See General Information for Roof Deck Constructions](#)

Construction No. 605

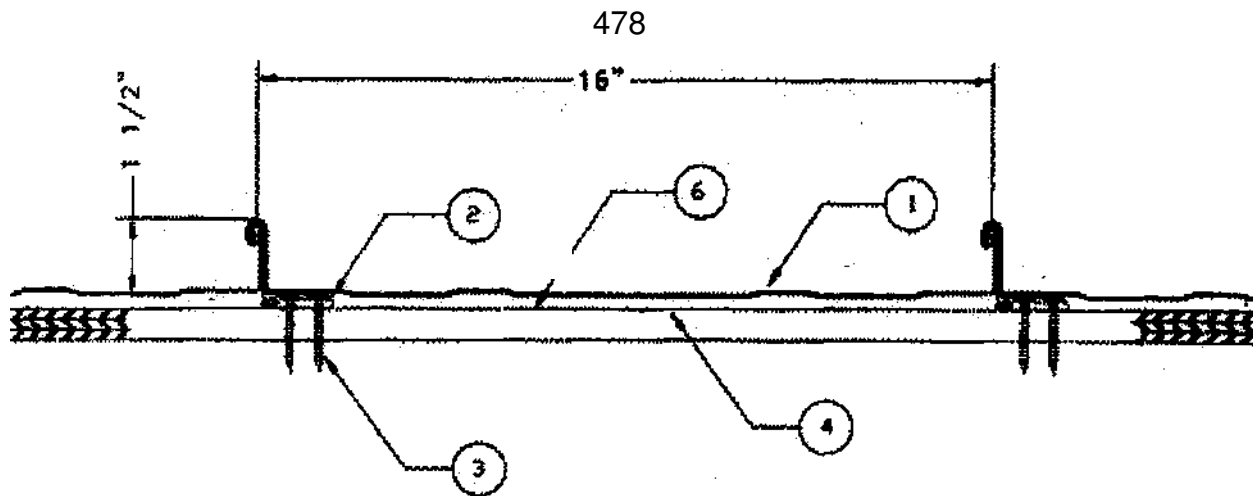
December 10, 2004

Uplift - Class 90

Fire Not Investigated



TGKX.605 - Roof Deck Constructions



1. Metal Roof Deck Panels* — Min. 0.022 In. thick or 16 oz. copper; width 16 In. max., height of female rib 1-1/2 In., male rib 1-29/64 In. Panels continuous over three or more clips with no end-laps. A bead of sealant may be used at panel ribs. Panel ribs seamed with an electric seamer with seaming operation to include upper portion of panel clip (Item 2).

META INC ([View Classification](#)) - "1 1/2 in. Lock Tite"

METAL FORMING INC ([View Classification](#)) - "1-1/2 Mechanical Lock"

2. Roof Deck Fasteners* (Panel Clips) — Two part assembly consisting of an upper tab and a base. The upper tab is 4-1/4 In. wide and 2 In. high and is fabricated from min. 0.030 in. thick stainless steel. The base is 1-7/8 in. wide and 1-5/8 in. long and is fabricated from min. No. 16 MSG coated steel. Clips are to be spaced 36 in. OC max.

METAL FORMING INC ([View Classification](#)) - "1500SC"

3. Panel Fasteners (Screws) — Fasteners used to attach the panels clips to the plywood decking to be No. 1/4-13 by 1-5/8 In. long No. 3 Phillips drive, truss head coated steel screws. Two screws are to be used per clip.

4. Plywood Deck - Nominal 5/8 in. (19/32 In. actual) plywood, Grade C-D, APA rated. Fastened to supports (Joists) using No. 8 by 2-1/2 In. long, No. 2 Phillips Drive, coarse thread, bugle head, steel screws. Spaced 6 In. OC max. at the butt ends and 12 In. OC max. in the field. All joints to be sealed with a one part urethane sealant feathered out from the joint.

5. Joists — Graded dimensional lumber, No. 2 or better. Spaced 24 In. OC max.

6. Ply Sheet* — Any UL Classified underlayment, min. 2 In. sidelap, mechanically fastened.

7. Joist Hangers — (Not Shown) - No. 18 MSG coated steel, open seat type. Refer to

general information, Roof Deck Construction, for items not evaluated. •Bearing the UL

Classification Mark

[Last Updated](#) on 2004-12-10

[Questions?](#)

[Notice of Disclaimer](#)

[Page Top](#)

The appearance of a company's name or product in this database does not in itself assure that products so identified have been manufactured under UL's Follow-Up Service. Only those products bearing the UL Mark should be considered to be listed and covered under UL's Follow-Up Service. Always look for the Mark on the product.

UL permits the reproduction of the material contained in the Online Certification Directory subject to the following conditions: 1. The Guide Information, Designs and/or Listings (files) must be presented in their entirety and in a non-misleading manner, without any manipulation of the data (or drawings). 2. The statement "Reprinted from the Online Certifications Directory with permission from Underwriters Laboratories Inc." must appear adjacent to the extracted material. In addition, the reprinted material must include a copyright notice in the following format: "Copyright © 2006 Underwriters Laboratories Inc.®"

<http://database.ul.com/cgi-bin/XYV/template/LISEXT/IFRAME/showpage.html?name=T^> 1/6/2006
TGKX.610 - Roof Deck Constructions

An independent organization working for a safer world with integrity, precision and knowledge.



UL Online Certifications Directory

TGKX.604 Roof Deck Constructions

[Page Bottom](#)

Roof Deck Constructions

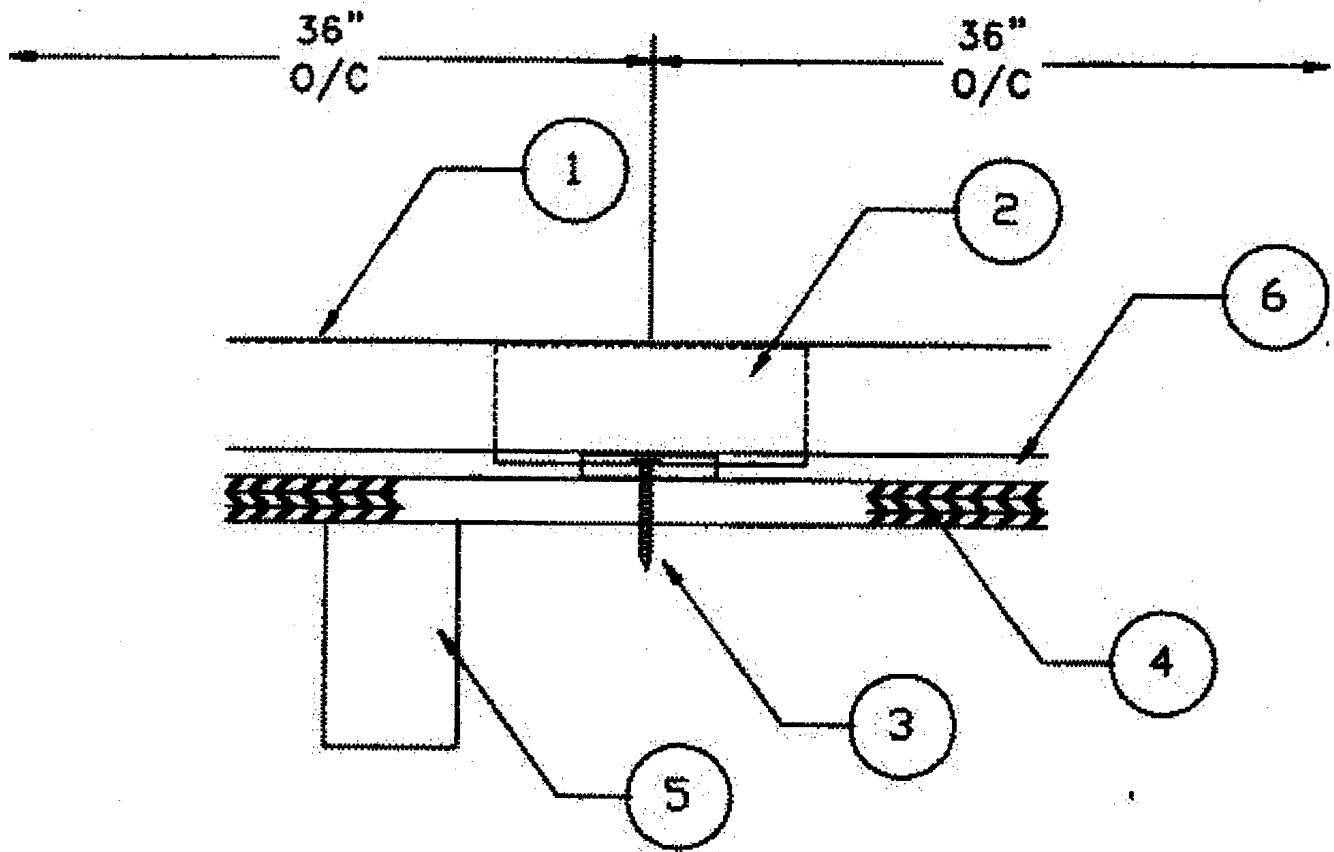
[See General Information for Roof Deck Constructions](#)

Construction No. 604

July 17, 2003

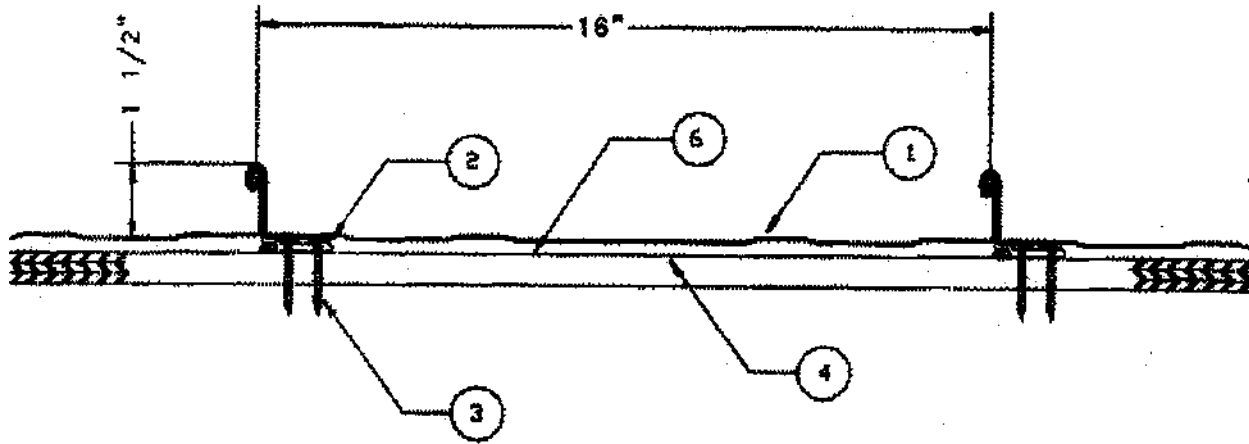
Uplift - Class 90

Fire Not Investigated



481

TGKX.604 - Roof Deck Constructions



1. Metal Roof Deck Panels* - Min. 0.032 in. (0.8 mm) thick zinc; width 16 in. max., height of female rib 1-1/2 in., male rib 1-29/64 in. Panels continuous over three or more clips with no end-laps. A bead of sealant may be used at panel ribs. Panel ribs seamed with an electric seamer with seaming operation to include upper portion of panel clip (Item 2).

METAL FORMING INC [View Classification 1](#) - "1-1/2 In. Mechanical Lock"

2. Roof Deck Fasteners* (Panel Clips) — Two part assembly consisting of an upper tab and a base. The upper tab is 4-1/4 in. wide and 2 in. high and is fabricated from min. 0.030 in. thick stainless steel. The base is 1-7/8 in. wide and 1-5/8 in. long and is fabricated from min. No. 16 MSG coated steel. Clips are to be spaced 36 in. OC max.

METAL FORMING INC [View Classification ^](#) - "1500SC"

3. Panel Fasteners (Screws) — Fasteners used to attach the panels clips to the plywood decking to be No. 1/4-13 by 1-5/8 in. long No. 3 Phillips drive, truss head coated steel screws. Two screws are to be used per clip.

4. Plywood Deck - Nominal 5/8 in. (19/32 in. actual) plywood. Grade C-0, APA rated. Fastened to supports (Joists) using No. 8 by 2-1/2 in. long, No. 2 Phillips Drive, coarse thread, bugle head, steel screws. Spaced 6 in. OC max. at the butt ends and 12 in. OC max. in the field. All joints to be sealed with a one part urethane sealant feathered out from the joint.

5. Joists — Graded dimensional lumber, No. 2 or better. Spaced 24 in. OC max.

6. Ply Sheet* — Any UL Classified underlayment, min. 2 in. sidelap, mechanically fastened.

7. Joist Hangers - (Not Shown) - No. 18 MSG coated steel, open seat type. Refer to general

Information, Roof Deck Construction, for Items not evaluated. •Bearing the UL Classification Mark Last

Updated on 2003-07-17

[Questions?](#)

[Notice of Disclaimer](#)

[Page TOP](#)

[Copyright ffi 2006 Underwriters Laboratories Inc.ff](#)

The appearance of a company's name or product in this database does not in itself assure that products so identified have been manufactured under UL's Follow-Up Service. Only those products bearing the UL Mark should be considered to be Listed and covered under UL's Follow-Up Service. Always look for the Mark on the product.

UL permits the reproduction of the material contained in the Online Certification Directory subject to the following conditions: 1. The Guide Information, Designs and/or Listings (files) must be presented in their entirety and in a non-misleading manner, without any manipulation of the data (or drawings). 2. The statement "Reprinted from the Online Certifications Directory with permission from Underwriters Laboratories Inc." must appear adjacent to the extracted material. In addition, the reprinted material must include a copyright notice in the following format: "Copyright © 2006 Underwriters Laboratories Inc.®"

<http://database.ulxorn/cgi-bin/XYV/template/LISEXT/IFRAME/showDae.htTn1?riame=TG.>

Art.independent organization working ior a safer world with integrity, precision and knowledge.



UL Online Certifications Directory

TGKX.603 Roof Deck Constructions

[Page Bottom](#)

Roof Deck Constructions

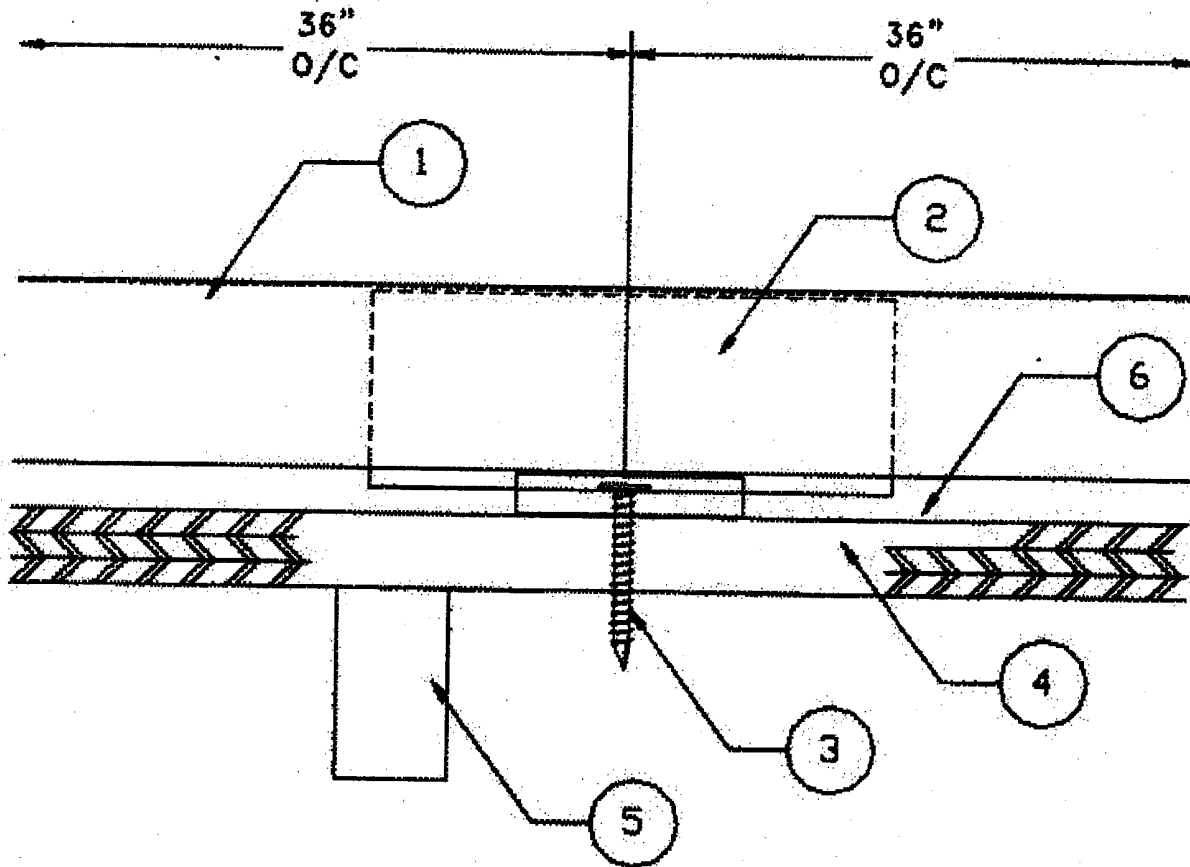
[See General Information for Roof Deck Constructions](#)

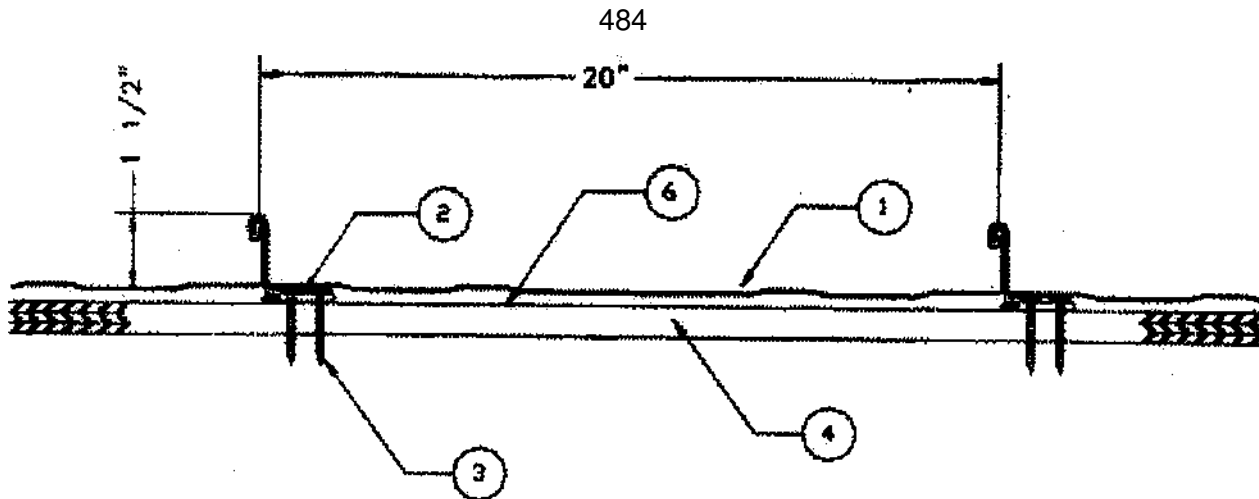
Construction No. 603

December 23, 2004

Uplift - Class 90

Fire Not Investigated





1. Metal Roof Deck Panels* — Win. 032 in. thick embossed aluminum; width 20 In. max., height of female rib 1-1/2 in., male rib 1-29/64 in. Panels continuous over three or more clips with no end-laps. A bead of sealant may be used at panel ribs. Panel ribs seamed with an electric seamer with seaming operation to include upper portion of panel clip (Item 2).

INTEGRIS METALS INC ([View Classification](#)) - "Integris 1-1/2 in. System 3"

META INC ([View Classification](#)) - "1 1/2 in. Lock Tite"

METAL FORMING INC ([View Classification](#)) - "1-1/2 in. Mechanical Lock"

MID-SOUTH METAL PRODUCTS ([View Classification](#)) — "MSMP 1 1/2 in. Mechanical Lock"

THE ROOFING COLL C, DBA THE ROOFING

CO ([View Classification 1](#)) — "MS-Clip and Lock 1 1/2 In."

2. Roof Deck Fasteners* (Panel Clips) — Two part assembly consisting of an upper tab and a base. The upper tab is 4-1/4 in. wide and 2 in. high and is fabricated from min. 0.030 in. thick stainless steel. The base is 1-7/8 in. wide and 1-5/8 in. long and is fabricated from min. No. 16 MSG coated steel. Clips are to be spaced 36 in. OC max.

METAL FORMING INC ([View Classification](#)) - "1500SC"

3. Panel Fasteners (Screws) — Fasteners used to attach the panels clips to the plywood decking to be No. 1/4-13 by 1-5/8 in.; long No. 3 Phillips drive, truss head coated steel screws. Two screws are to be used per clip

4. Plywood Deck — Nominal 5/8 in. (19/32 in. actual) plywood, Grade C-D, APA rated. Fastened to supports (joists) using No. 8 by 2-1/2 in. long, No. 2 Phillips Drive, coarse thread, bugle head, steel screws. Spaced 6 in. OC max. at the butt ends and 12 in. OC max. in the field. All joints to be sealed with a one part urethane sealant feathered out from the joint.

5. Joists — Graded dimensional lumber, No. 2 or better. Spaced 24 in. OC max.

6. Ply Sheet* — Any UL Classified underpayment, min. 2 in. sidelap, mechanically fastened.

7. Joist Hangers — (Not Shown) - No. 18 MSG coated steel, open seat type. Refer to general

Information, Roof Deck Construction, for Items not evaluated. *Bearing the UL Classification Mark Last

[Updated](#) on 2004-12-23

[Questions?](#)

[Notice of Disclaimer](#)

[Page Top](#)

Copyright © 2006 Underwriters Laboratories Inc.d

The appearance of a company's name or product in this database does not in itself assure that products so identified have been manufactured under UL's Follow-Up Service. Only those products bearing the UL Mark should be considered to be Listed and covered under UL's Follow-Up Service. Always look for the Mark on the product.

UL permits the reproduction of the material contained in the Online Certification Directory subject to the following conditions: 1. The Guide Information, Designs and/or Listings (files) must be presented in their entirety and in a non-misleading manner, without any manipulation of the data (or drawings). 2. The statement "Reprinted from the Online Certifications Directory with permission from Underwriters Laboratories Inc." must appear adjacent to the extracted material. In addition, the reprinted material must include a copyright notice in the following format: "Copyright © 2006 Underwriters Laboratories Inc.®"

An independent organization working for a safer world with integrity, precision and knowledge



UL Online Certifications Directory

TGKX.602 Roof Deck Constructions

[Page Bottom](#)

Roof Deck Constructions

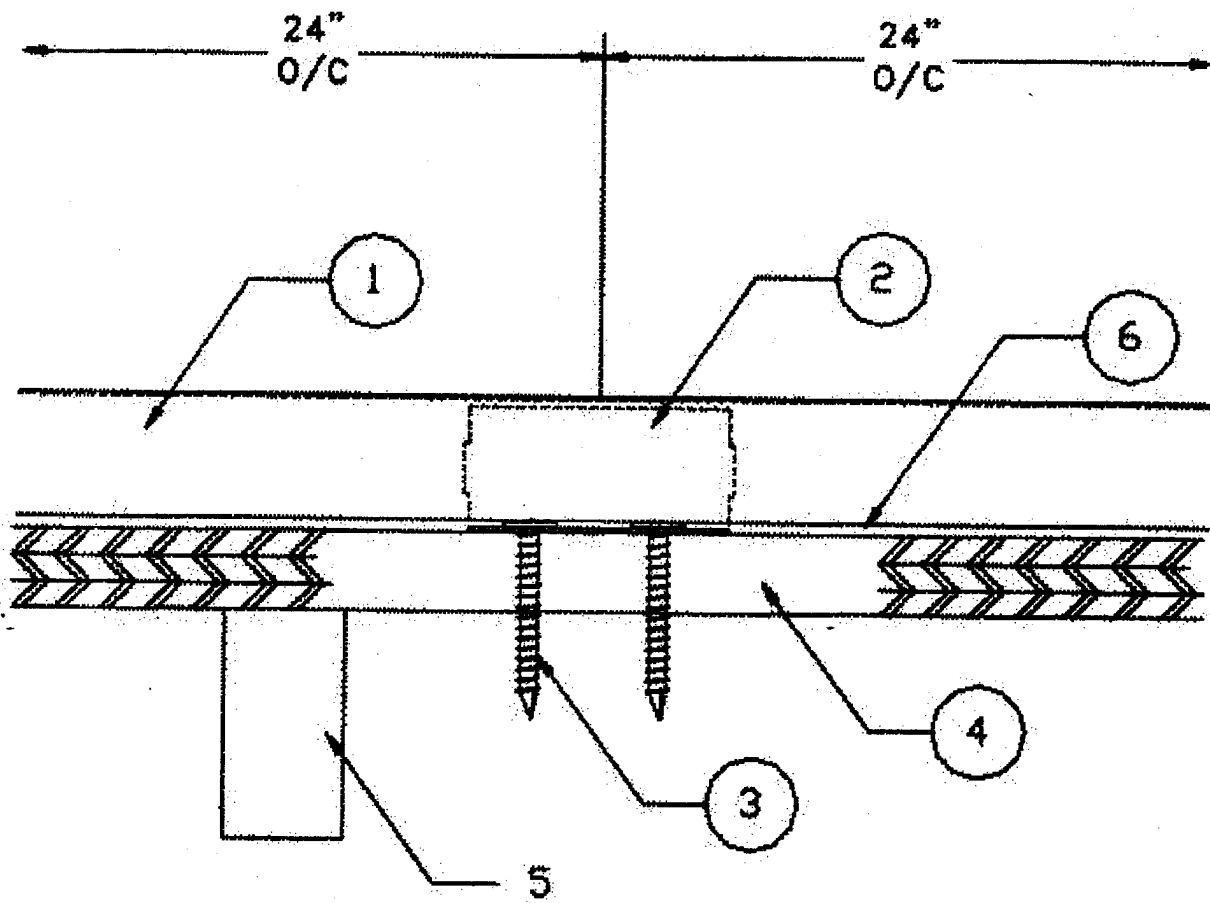
[See General Information for Roof Deck Constructions](#)

Construction No. 602

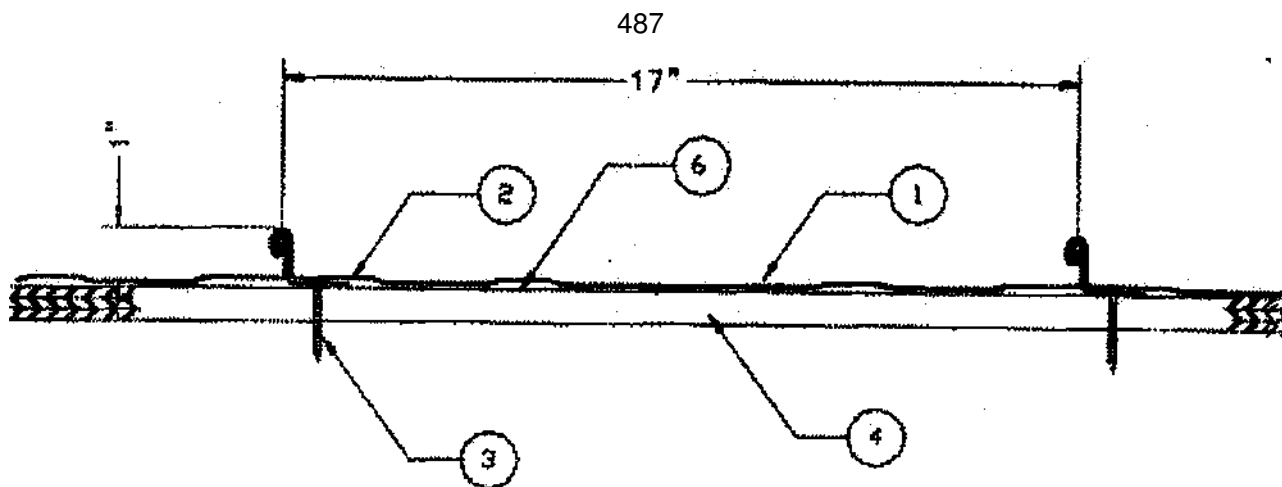
August 24, 2005

Uplift - Class 90

Fire Not Investigated



TGKX.602 - Roof Deck Constructions



1. Metal Roof Deck Panels* - Min. 24 MSG (0.0225 In.) thick coated steel; width 17 in. max., height of female rib 1 in., male rib 1 in. Panels continuous over three or more clips with no end-laps. A bead of sealant may be used at panel ribs. Panel ribs seamed with an electric seamer with seaming operation to include upper portion of panel clip (Item 2).

CENTRAL TEXAS METAL ROLLFORMING INC ([View Classification!](#) - "SPANLOC 100")

INTEGRIS METALS INC ([View Classification^](#) - "Integrals 1 in. System 3")

METAL FORMING INC ([View Classification^](#) - "1 in. Mechanical Lock")

MID-SOUTH METAL PRODUCTS ([View Classification 1](#) - "MSMP 1 in. Mechanical Lock")

2. Roof Deck Fasteners* (Panel Clips) — One part assembly, 2 In. wide and approximately 1-1/4 In. high with a 15/16 In. wide horizontal leg having an opposing leg approximately 1/2 In. wide. Clips are to be spaced 24 In. OC max.

METAL FORMING INC ([View Classification 1](#) - "1000FC")

3. Panel Fasteners (Screws) — Fasteners used to attach the panel clips to the plywood deck to be No. 10-12 by 1 In. long, No. 2 Phillips Drive, wafer-head, plated steel, wood screws. Two screws used per clip.

4. Plywood Deck - Nominal 5/8 in. (19/32 In. actual) plywood, Grade C-D, APA rated. Fastened to supports (Joists) using No. 8 by 2-1/2 In. long, No. 2 Phillips Drive, coarse thread, bugle head, steel screws. Spaced 6 In. OC max. at the butt ends and 12 In. OC max. in the field. All joints to be sealed with a one part urethane sealant feathered out from the joint.

5. Joists — Graded dimensional lumber, No. 2 or better. Spaced 24 in. OC max.

6. Ply Sheet* — Any UL Classified underlayment, min. 2 In. sidelap, mechanically fastened.

7. Joist Hangers — (Not Shown) - No. 18 MSG coated steel, open seat type.

Refer to general information, Roof Deck Construction, for Items not evaluated.

"Bearing the UL Classification Mark

Last Updated on 2005-08-24

[Questions?](#)

[Notice of Disclaimer](#)

[Page Too](#)

Copyright (I5 2QQ6 Underwriters laboratories Inc.C

The appearance of a company's name or product in this database does not In Itself assure that products so identified have been manufactured under UL's Follow-up Service. Only those products bearing the UL Mark should be considered to be Listed and covered under UL's Follow-Up Service. Always look for the Mark on the product.

The appearance of a company's name or product in this database does not in itself assure that products so identified have been manufactured under UL's Follow-Up Service. Only those products bearing the UL Mark should be considered to be Listed and covered under UL's Follow-Up Service. Always look for the Mark on the product.

UL permits the reproduction of the material contained in the Online Certification Directory subject to the following conditions: 1. The Guide Information, Designs and/or Listings (files) must be presented in their entirety and in a non-misleading manner, without any manipulation of the data (or drawings). 2. The statement "Reprinted from the Online Certifications Directory with permission from Underwriters Laboratories Inc." must appear adjacent to the extracted material. In addition, the reprinted material must include a copyright notice in the following format: "Copyright © 2006 Underwriters Laboratories Inc.®"

An independent organization working for a safer world with integrity, precision and knowledge

